



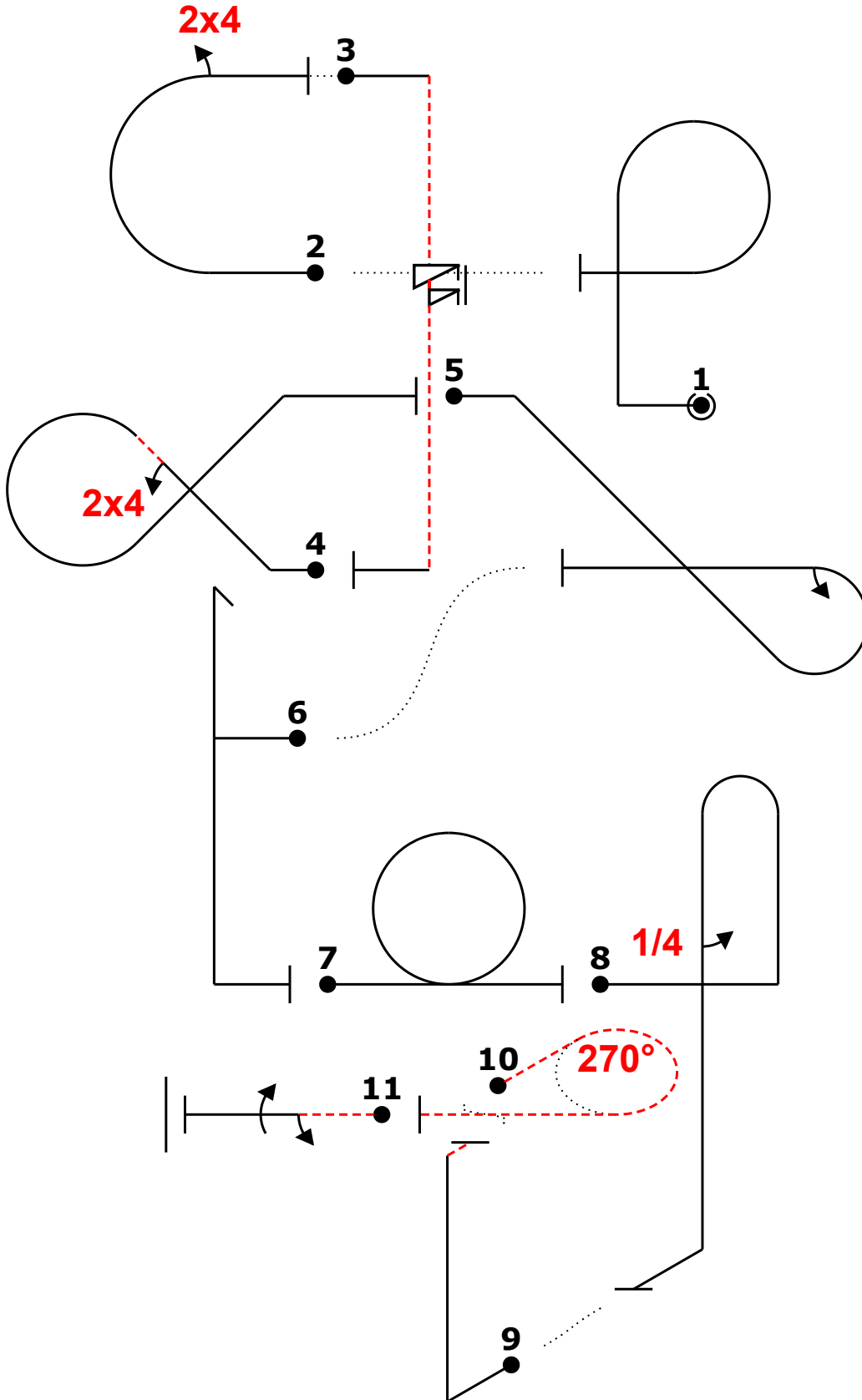
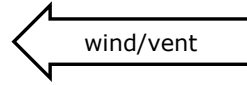
Form A	
Pilot ID	AeCI Sportsman KNOWN 2024
Flight #	

No	Symbol	Cat. No.	K	Total K	Grade	Pos	Remarks	Item	K	Grade
1		8.6.1.1	11	11	.			Pos.	20	
2		7.2.2.1 9.4.3.2	6 5	11	.			Fig K		Total K
								142		162
3		1.1.6.3 9.11.1.6	10 3	13	.			Penalties		
								Too Low		
								Too High		
4		7.3.2.1 9.4.2.2	14 7	21	.			Interruptions		
								Insertions		
								Trg Violation		
5		8.5.3.3 9.1.3.2	10 4	14	.			Wing Rocks		
								Disqual Fig		
								Other(note...)		
6		5.2.1.1	17	17	.			Final Freestyle		
								Duration	Min	Sec
7		7.4.1.1	10	10	.			Judges Details		
								Signature		
								Name		
								Number		
8		8.4.1.1 9.1.5.1	13 2	15	.					
9		1.1.7.1	9	9	.					
10		2.3.1.2	7	7	.					
11		1.1.1.4 9.1.3.2 9.1.3.4	2 4 8	14	.					

_____ Pilot
 A/C



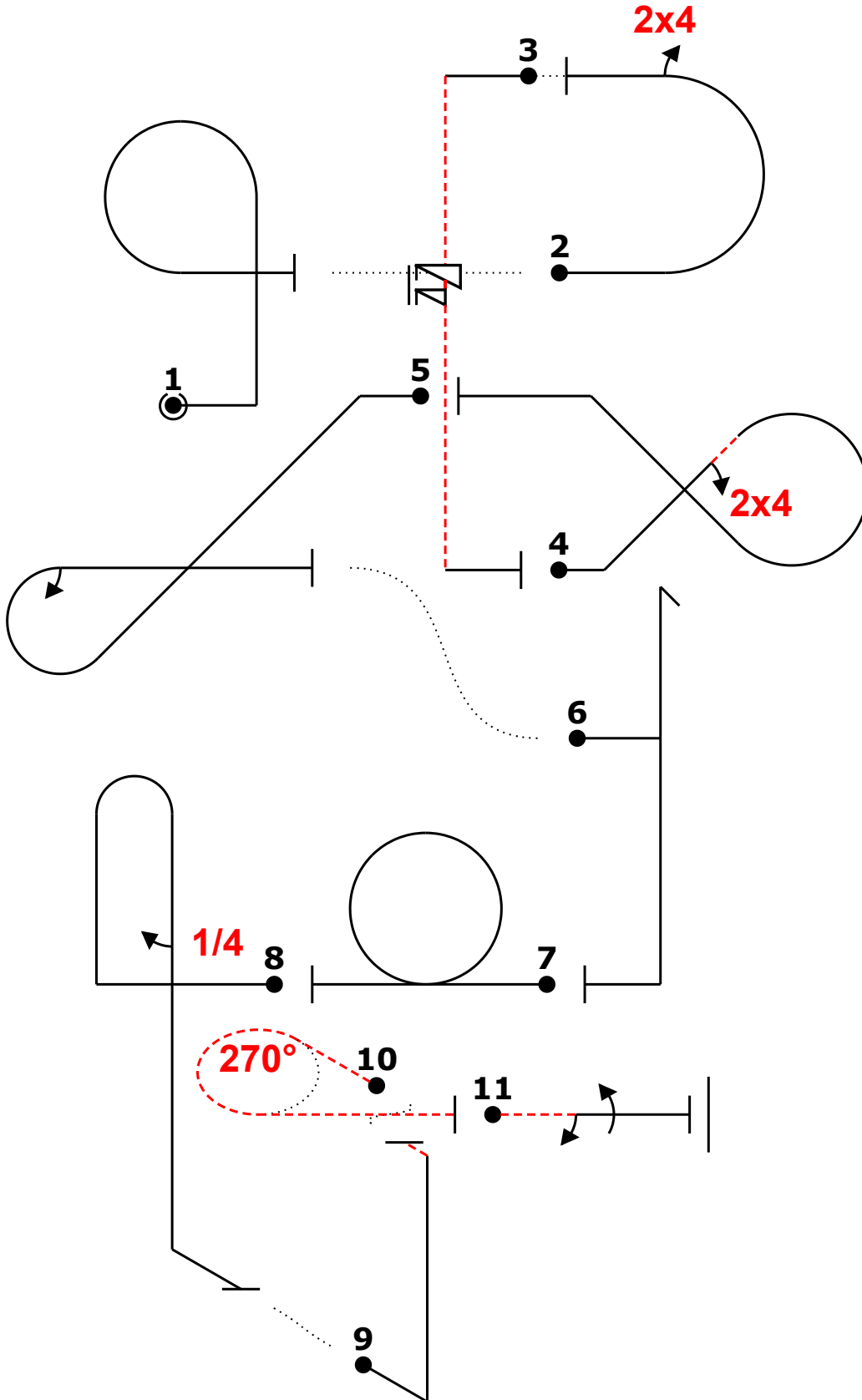
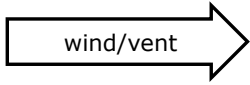
		Form B
Pilot ID	AeCI Sportsman KNOWN 2024	Flight #



..... Pilot
..... A/C



		Form C
Pilot ID	AeCI Sportsman KNOWN 2024	Flight #



..... Pilot
..... A/C